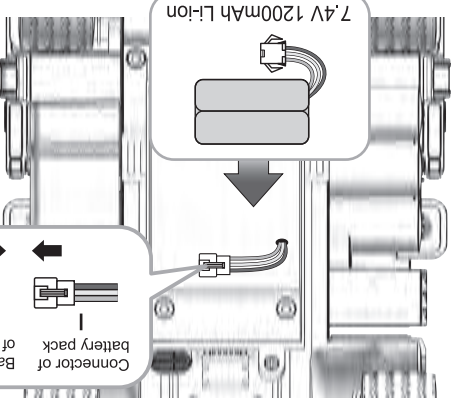
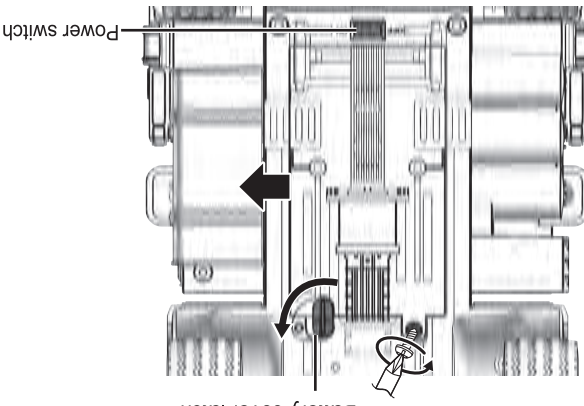


3. Install the battery cover, tighten the screw and twist the buckle.(Fig. 3)

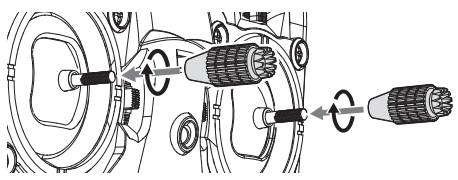


2. Connect Li-Ion with power port of truck, then put it into the battery box.(Fig. 2)



1. Loosen screw on battery cover by screwdriver, twist the buckle and take out battery cover.(Fig. 1)

BATTERY INSTALLATION

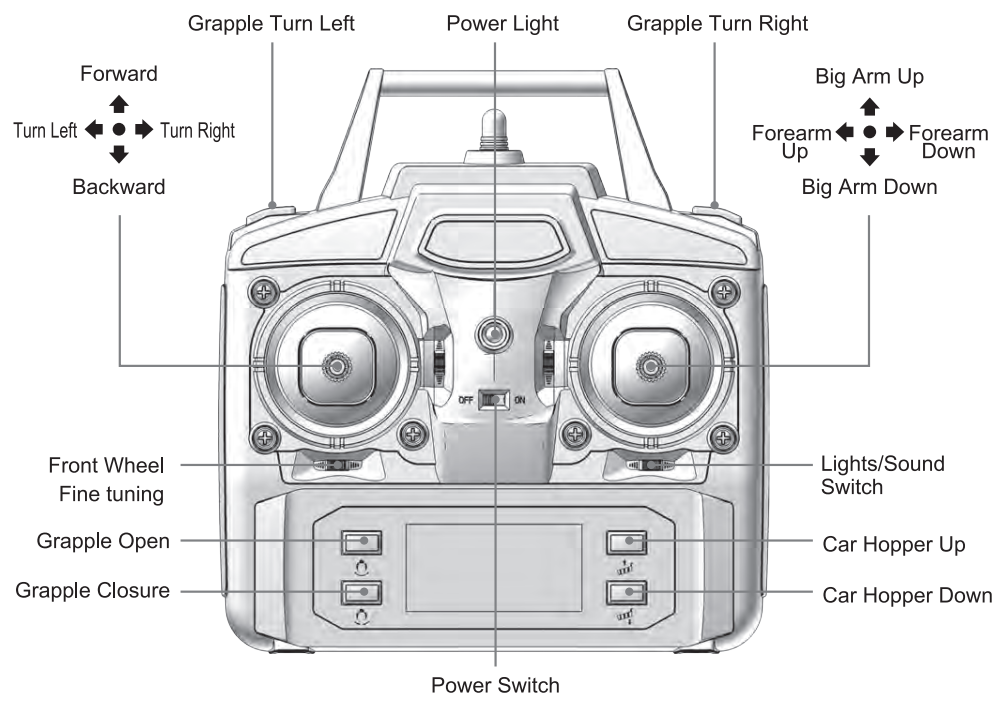


Screw the rocker into the remote control rocker interface as shown in the figure, the installation method is the same on both sides.

ROCKER INSTALLATION

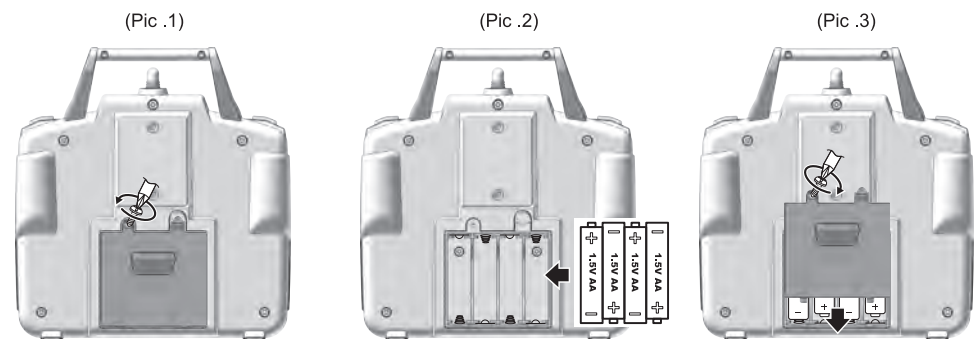
Thank you for purchasing this R/C model manufactured by Guangdong Huina Model Co., Ltd. Please read the instruction completely to gain using method.

OPERATION OF REMOTE CONTROL

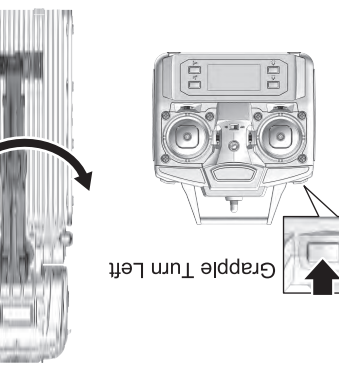
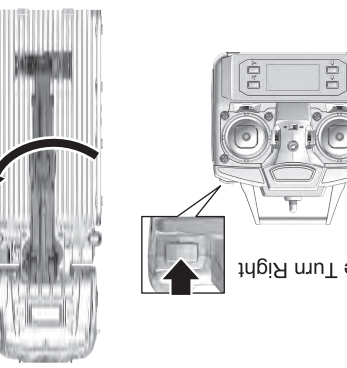
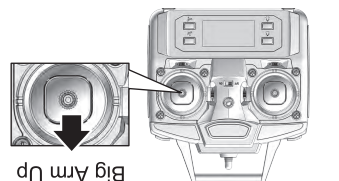
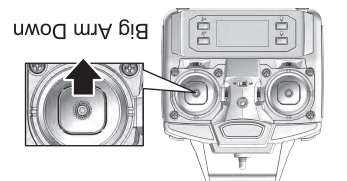
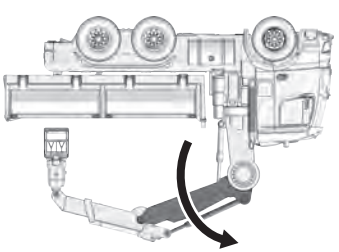
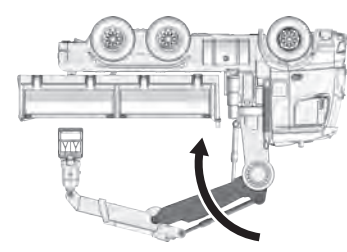
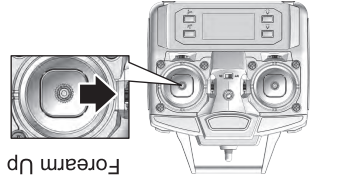
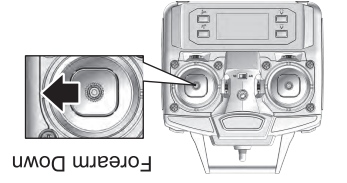
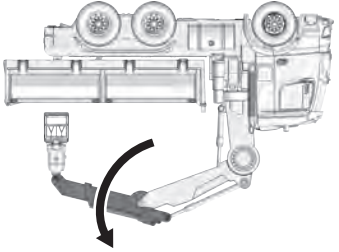
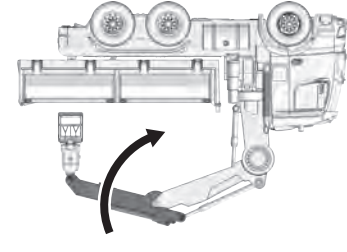


INSTALLATION OF REMOTE CONTROL BATTERY

- 1. Loosen the screw of battery cover by screwdriver and take out battery cover. (Pic. 1)
2. Put four 1.5V "AA" batteries (batteries need to be purchased separately) into the battery box to the right polarity at the bottom of remote control. (Pic. 2)
3. Install the battery cover and tighten the screw. (Pic. 3)

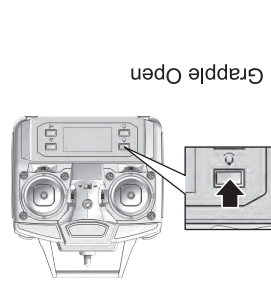
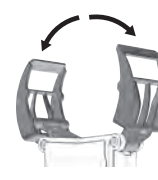
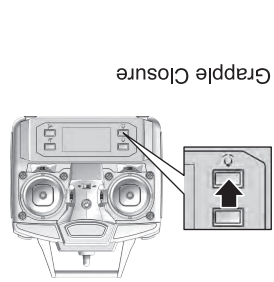
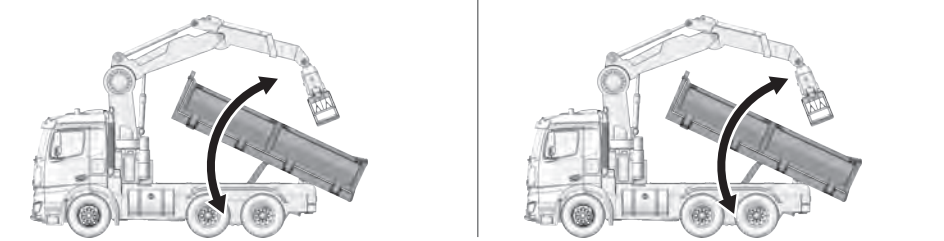
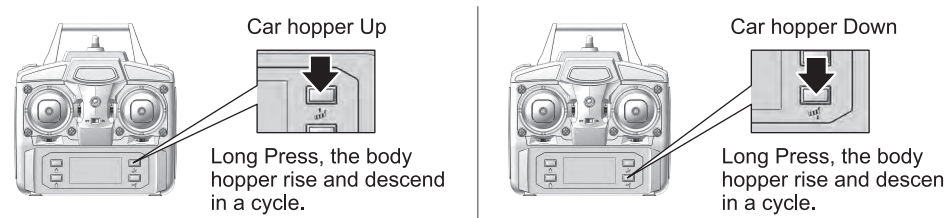
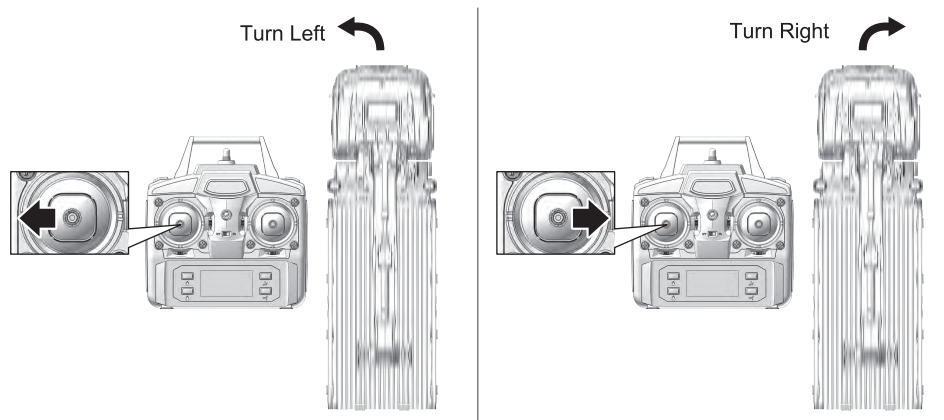
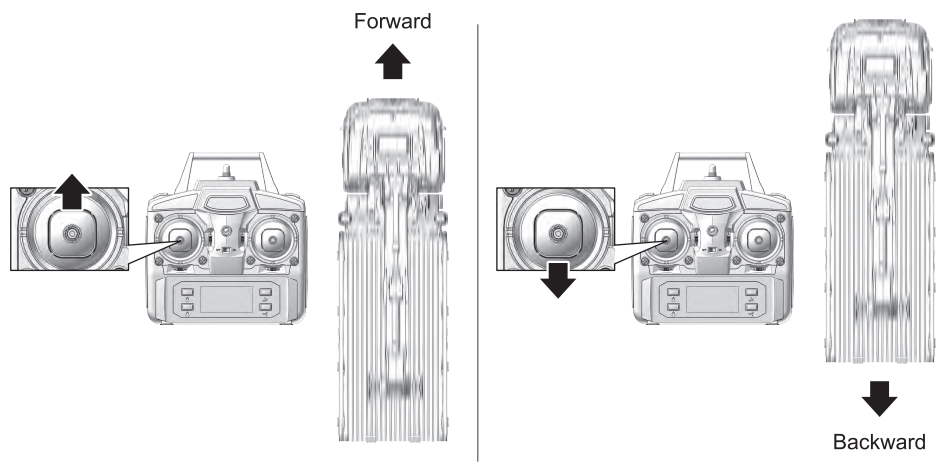


ATTENTION: Batteries shall be put to the right polarity.

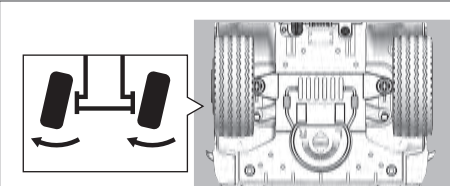
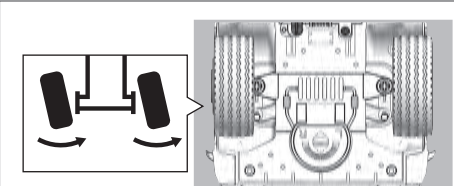


GRAPPLER ARM OPERATING INSTRUCTIONS OF

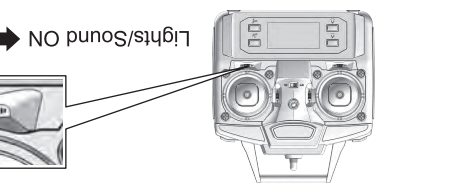
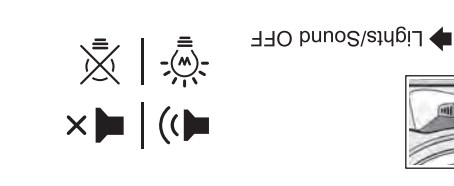
TRUCK OPERATING INSTRUCTIONS



GRAPPLE OPERATING INSTRUCTIONS OF



FRONT WHEEL FINE TUNING



CONTROL OF LIGHT AND SOUND



BATTERY PRECAUTIONS

- 1. The car is equipped with 7.4V Li-ion battery pack; the remote control is equipped with 4X1.5V "AA" batteries;
2. The battery shall be removed and loaded correctly according to the polarity and voltage marks on the toy battery box; the battery shall not be short-circuited;
3. Non-rechargeable batteries cannot be charged;
4. Rechargeable batteries must be charged under adult supervision;
5. The rechargeable battery shall be removed from the toy before charging;
6. Different types of batteries or old and new batteries cannot be mixed;
7. Only batteries that are the same as or equivalent to the recommended batteries can be used;
8. The exhausted battery shall be removed from the toy. If the toy is not used for a long time, please remove the battery from the toy;
9. The power terminals must not be short-circuited;
10. The battery charging time is about 2-4 hours;
11. It cannot be connected to more than the recommended amount of power sources.
During the use of the USB charging cable, check its wires, plugs, shells and other components regularly for damage. If damage is found, stop using it until the repair is complete.

DON'T IMPROPERLY USE THIS PRODUCT

Don't willfully dismantle, modify or process it. For any modification and maintenance, please use the parts list in product content to ensure structure safety. Please operate products within specified limit, overload is forbidden, and illegal purposes in violation of safety order are forbidden too.

IMPORTANT NOTICES

Note! The products are manufactured by batches after performances have been strictly demonstrated and practically tested to verify meeting safety standards, but personnel below 8 are forbidden to use it. For any use of remote-controlled model, the manufacturer or dealer won't bear any responsibility for accidents resulted from abnormal parts usage and wearing, improper assembling or operation under unsafe environment. Please be sure to operate this product under safe environment. This company won't bear property loss and personal injury resulted from improper operation/dismantling/modification on sold product.

The Company has the right of final interpretation of this instruction manual statement.

NO.1575
MADE IN CHINA



The product is remotely controlled with 2.4GHz frequency. For the first operation, the user must install the battery on the vehicle body and the remote control first, then make automatic pairing. When the indicator light of the remote control flashes, the vehicle will make a "tick" sound, that is, the frequency pairing is completed. If the vehicle does not respond to the remote control, the user can turn off the power of remote control and vehicle, turn on the power of remote control and vehicle again to match again (same steps as above).

FREQUENCY PAIRING AND POWER ON OF REMOTE CONTROL

- In order to protect the environment, damaged batteries should be properly disposed of in accordance with regional or national waste regulations, deal with.
• Please do not charge a damaged lithium battery. It may cause battery expansion, deformation, explosion or fire.
• To prevent injury, keep the battery out of the reach of children.
• Please charge the battery within the visible range. Never stay away from the battery that is objects to avoid the risk of battery fire.
• Because it is likely to cause an explosion or fire, it is strictly prohibited to use a charger other than the original charging cable to charge the lithium battery. It is strictly forbidden to disassemble, bump, burn, reverse the positive and negative poles of the battery. Avoid metal objects and the positive and negative poles of the battery are in contact. It is strictly prohibited to pierce the battery with sharp objects.

SAFE USAGE INSTRUCTIONS FOR Li-Ion

- 1. The lithium battery is used incorrectly, there may be a danger of spontaneous combustion.
• If the lithium battery is used incorrectly, there may be a danger of spontaneous combustion.
2. The USB charging cable must be connected to a 5V USB power adapter.
3. Because the damaged lithium battery may ignite spontaneously, please do not charge it.
4. The battery must be charged according to the specified method. If the lithium battery is used incorrectly, there is a high risk of spontaneous combustion.

PRECAUTIONS OF Li-Ion

7.4V 1200mAh Li-Ion (included)
Intelligent USB charger lead (included)
When battery is charged, please pull off the USB charger lead in time.
Charging period: 2-4 hours
Full charging state: green light always lit
Red light always lit + Green light flashes
Charged state: red light always lit
Uncharged state: red light always lit
INDICATOR LIGHT STATUS AT THE TIME OF CHARGING:

Table with 2 columns: BATTERY/USB PARAMETERS and CHARGING METHODS. BATTERY/USB PARAMETERS: Battery specifications: 7.4V 1200mAh Li-Ion, Input: 5V 2A, Output: 7.4V --- 1000mA. CHARGING METHODS: Connect the white port of Li-Ion to USB charging port, as shown in the figure, and ensure port can be connected tightly and correctly, then insert the USB charging plug into power adapter, and perform charging.

BATTERY CHARGING INSTRUCTIONS

USE MANUAL



PROFESSIONAL R/C GRAPPLE DUMP TRUCK WITH 26 FUNCTIONS

